

**SUBJECT: PARKER HANNIFIN CORPORATION SERVICE BULLETIN No.7110**

To all Customers, Operators and Service Centers:

Date: Nov 20/15

Effectivity: All PC-12 aircraft using Parker Hannifin Corporation main brake assembly (Pilatus P/N 959.56.01.517, Vendor P/N 30-244).

This Service Letter is issued to draw attention to the following vendor information:

Parker Hannifin Corporation have issued a service bulletin to recommend that operators inspect, and if necessary, increase the bleeder torque value of the main brake assembly.

Pilatus recommends that operators of PC-12 aircraft, read the Parker Hannifin Corporation Service Bulletin No.7110 (latest revision) and take the recommended action.

The information and instructions given in the Parker Hannifin Corporation Service Bulletin No.7110 will be incorporated into Pilatus PC-12/47E AMM at Revision 14.

Operators who require further information on this subject should contact the address given below.

PILATUS AIRCRAFT LTD  
CUSTOMER SUPPORT MANAGER  
CH-6371 STANS  
SWITZERLAND  
General Aviation  
Tel: +41 41 619 3333  
Fax: +41 41 619 7311  
eMail: SupportPC12@pilatus-aircraft.com

PILATUS BUSINESS AIRCRAFT LTD  
PRODUCT SUPPORT DEPARTMENT  
11755 AIRPORT WAY  
BROOMFIELD, CO 80021  
UNITED STATES OF AMERICA  
Tel: +1 303 465 9099  
Fax: +1 303 465 6040  
eMail: SupportPC12@PilBal.com

PILATUS AUSTRALIA PTY LTD  
17 JAMES SCHOFIELD DRIVE  
ADELAIDE AIRPORT SA 5950  
AUSTRALIA  
Tel: +61 8 8238 1600  
Fax: +61 8 8234 4499  
Free Call: +61 1800 PILATUS (745 2887)  
eMail: SupportPC12@pilatus.com.au

**Attachments:**

- PARKER HANNIFIN CORPORATION SERVICE BULLETIN No.7110

INTENTIONALLY BLANK



**Parker Hannifin Corporation**  
 Aircraft Wheel & Brake  
 1160 Center Road  
 Avon, Ohio 44011 USA  
 1-800-BRAKING (272-5464)  
 440-937-1213 • FAX 440-937-5409

# SERVICE BULLETIN

## P/N 30-244 BRAKE ASSEMBLY – INCREASED BLEEDER TORQUE VALUE

### 1. PLANNING INFORMATION

#### A. APPLICABILITY

Refer to Table 1. This service bulletin is applicable to the Pilatus Aircraft Ltd models listed using the designated Parker Hannifin Corporation, Aircraft Wheel & Brake Division main brake assembly part numbers:

Table 1 Applicability

Parker Hannifin Part No.	Pilatus Aircraft Ltd Model	Serial Number
30-244	PC-12, PC-12/45, PC-12/47, PC-12/47E	All

#### B. REASON

To enhance bleeder retention.

#### C. DESCRIPTION

This service bulletin will provide instruction to the level required for inspection and the return of product to service.

#### D. COMPLIANCE

Recommended – At earliest convenience or next brake overhaul.

#### E. APPROVAL

This service bulletin is approved for support of an FAA-TSO-C26 product.

#### F. MANPOWER

Estimate. 15 minutes per aircraft.

#### G. TOOLING

Standard tooling:

- Socket, hex head, 0.375 inch
- Torque gage

Initial Release, Sept. 10, 2015  
 Rev A, Oct. 23, 2015

This document contains information that is confidential and proprietary to Parker Hannifin Corporation ("Parker"). This document is furnished on the understanding that the document and the information it contains will not be copied or disclosed to others except with the written consent of Parker, will not be used for any purpose other than conducting business with Parker, and will be returned and all further use discontinued upon request by Parker. Copyright Parker. Year of copyright is first year indicated on this document. All rights reserved.

SB7110  
 Page 1 of 4

**EXPORT WARNING** - This document contains technical data whose export is restricted by the Arms Export Control Act (Title 22, U.S.C., Sec 2751, et seq.) or the Export Administration Act of 1979 (Title 50, U.S.C., App. 2401, et seq.), as amended. Violations of these export laws are subject to severe criminal penalties. Disseminate in accordance with provisions of DoD Directive 5230.25.



# SERVICE BULLETIN

## P/N 30-244 BRAKE ASSEMBLY – INCREASED BLEEDER TORQUE VALUE

### H. WEIGHT AND BALANCE

Not affected.

### I. REFERENCES

Use the latest issue in effect.

CM30-244.....Component Maintenance Manual with Illustrated Parts List for Main Brake Assembly PHC Part No. 30-244

### J. OTHER PUBLICATIONS AFFECTED

CM30-244.....Component Maintenance Manual with Illustrated Parts List for Main Brake Assembly PHC Part No. 30-244

### K. PREVIOUS MODIFICATIONS

None.

## 2. ACCOMPLISHMENT INSTRUCTIONS

Instructions are per brake assembly.

All instruction related to aircraft support and non-related Parker Hannifin, Aircraft Wheel & Brake equipment shall be in accordance with the airframe manufacturer's instructions.

### A. INSPECT BLEEDER TORQUE VALUE

**SAFETY WARNING:**  MAKE SURE THE AIRCRAFT IS SECURE AND STABLE BEFORE BEGINNING ANY WORK. WORKING AROUND AN AIRCRAFT THAT IS NOT SECURE AND STABLE CAN CAUSE INJURY OR DEATH.

Refer to Figure 1 and the following procedure.

- (1) Inspection of bleeder torque can be accomplished while equipment is on aircraft.
- (2) Use a torque gage with a .375 inch hex socket attached and check the bleeder torque.
- (3) If the torque value measurement is 18 to 20 in-lb (2.03 to 2.26 N-m):
  - (a) Increase the torque value to 35 to 38 in-lb (4.0 to 4.3 N-m).
- (4) If the torque value measurement is 35 to 38 in-lb (4.0 to 4.3 N-m):
  - (a) The torque value meets the requirements of this service bulletin.

### B. LOGBOOK ENTRY

- (1) Make the appropriate airframe logbook entry of compliance.



## P/N 30-244 BRAKE ASSEMBLY – INCREASED BLEEDER TORQUE VALUE

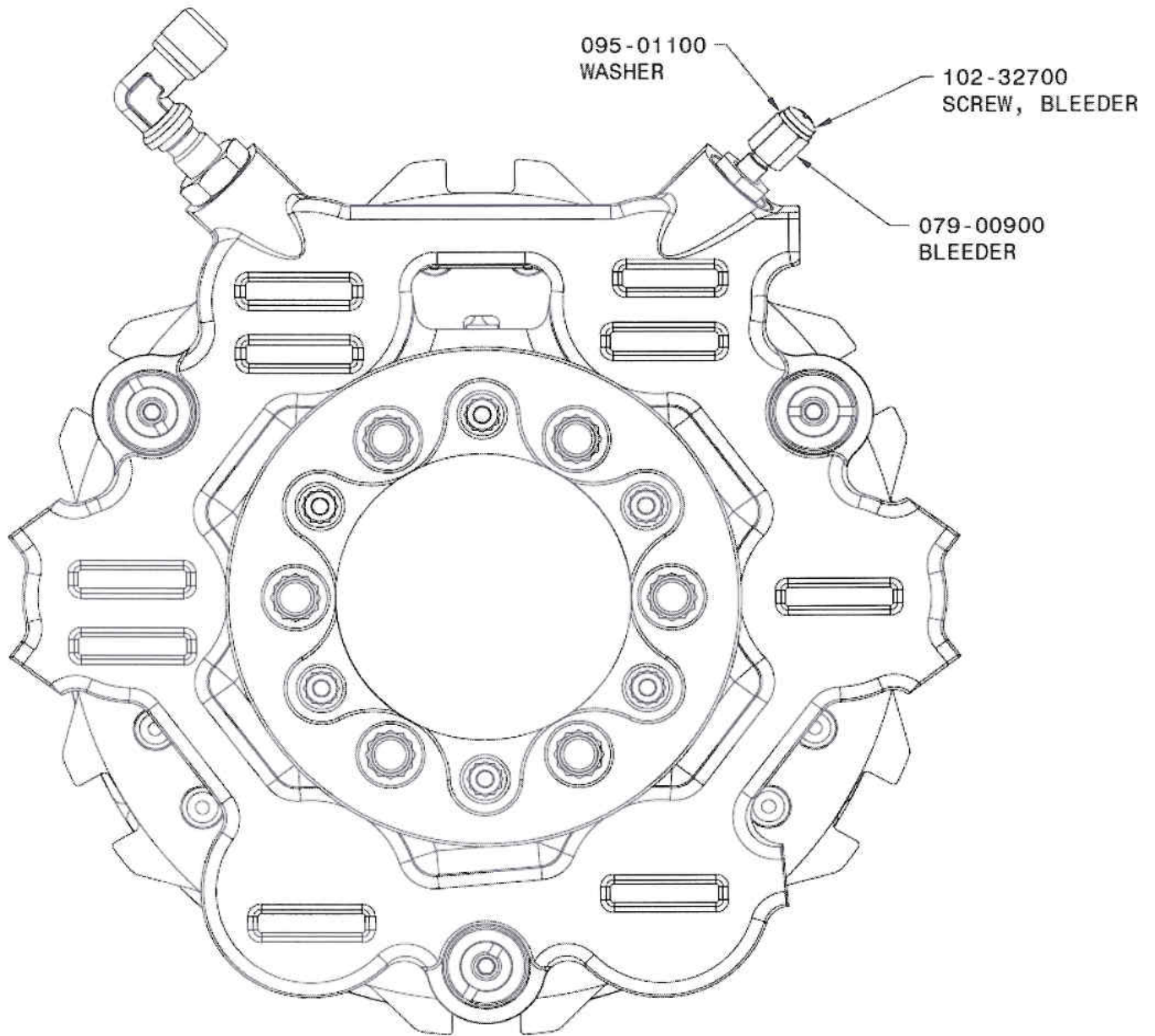


Figure 1 Location of 079-00900 bleeder

Initial Release, Sept. 10, 2015  
Rev A, Oct. 23, 2015

This document contains information that is confidential and proprietary to Parker Hannifin Corporation ("Parker"). This document is furnished on the understanding that the document and the information it contains will not be copied or disclosed to others except with the written consent of Parker, will not be used for any purpose other than conducting business with Parker, and will be returned and all further use discontinued upon request by Parker. Copyright Parker. Year of copyright is first year indicated on this document. All rights reserved.

SB7110  
Page 3 of 4

**EXPORT WARNING** - This document contains technical data whose export is restricted by the Arms Export Control Act (Title 22, U.S.C., Sec 2751, et seq.) or the Export Administration Act of 1979 (Title 50, U.S.C., App. 2401, et seq.), as amended. Violations of these export laws are subject to severe criminal penalties. Disseminate in accordance with provisions of DoD Directive 5230.25.



# SERVICE BULLETIN

## P/N 30-244 BRAKE ASSEMBLY – INCREASED BLEEDER TORQUE VALUE

### 3. MATERIAL INFORMATION

#### A. MATERIAL-REQUIREMENTS

Not applicable.

#### B. LIST OF COMPONENTS

Not applicable.

#### C. INTERCHANGEABILITY

None.

#### D. PARTS DISPOSITION

Not applicable.

SB7110  
Page 4 of 4

This document contains information that is confidential and proprietary to Parker Hannifin Corporation ("Parker"). This document is furnished on the understanding that the document and the information it contains will not be copied or disclosed to others except with the written consent of Parker, will not be used for any purpose other than conducting business with Parker, and will be returned and all further use discontinued upon request by Parker. Copyright Parker. Year of copyright is first year indicated on this document. All rights reserved.

Initial Release, Sept. 10, 2015  
Rev A, Oct. 23, 2015

**EXPORT WARNING** - This document contains technical data whose export is restricted by the Arms Export Control Act (Title 22, U.S.C., Sec 2751, et seq.) or the Export Administration Act of 1979 (Title 50, U.S.C., App. 2401, et seq.), as amended. Violations of these export laws are subject to severe criminal penalties. Disseminate in accordance with provisions of DoD Directive 5230.25.