

SUBJECT: ENGINE TORQUE LIMITER INSPECTION

Date: May 01/15

To all Pilatus Customers, Operators and Service Centers (Maintenance Organizations).

Applicability: All PC-12 Series aircraft.

This Service Letter is issued to draw attention to the following information:

P&WC issued Service Bulletin 14473 to advise operators and owners to do a one-time inspection of the engine torque limiters. This Service Bulletin is now at revision 3 and extends the compliance to include overhauled units with less than 1000 hours TSO (time since overhaul). The schedule and the inspection procedure are described in the P&WC Service Bulletin.

Pilatus recommends that operators of PC-12 aircraft read the P&WC Service Bulletin 14473, revision 3 and take the recommended action.

Operators requiring further information on this subject, please contact one of the addresses given below:

PILATUS AIRCRAFT LTD
CUSTOMER SUPPORT MANAGER
CH-6371 STANS
SWITZERLAND

General Aviation
Tel : + 41 41 619 3333
Fax: + 41 41 619 7311
eMail: SupportPC12@pilatus-aircraft.com

PILATUS BUSINESS AIRCRAFT LTD
PRODUCT SUPPORT DEPARTMENT
11755 AIRPORT WAY
BROOMFIELD, CO 80021
USA

Tel : +1 303 465 9099
Fax: +1 303 465 6040
eMail: SupportPC12@PilBal.com

PILATUS AUSTRALIA (PTY.) LTD
17 James Schofield Drive
Adelaide Airport SA 5950
AUSTRALIA

Tel : +61 8 8238 1600
Fax: +61 8 8234 4499
Free Call: +61 1800 PILATUS (745 2887)
eMail: SupportPC12@pilatus.com.au

Attachments:

P&WC SERVICE BULLETIN (SB) No.14473R3, dated Feb 26/2015.

INTENTIONALLY BLANK

PRATT & WHITNEY CANADA
SERVICE BULLETIN

P&WC S.B. No. 14473R3

BULLETIN INDEX LOCATOR
73-10-09

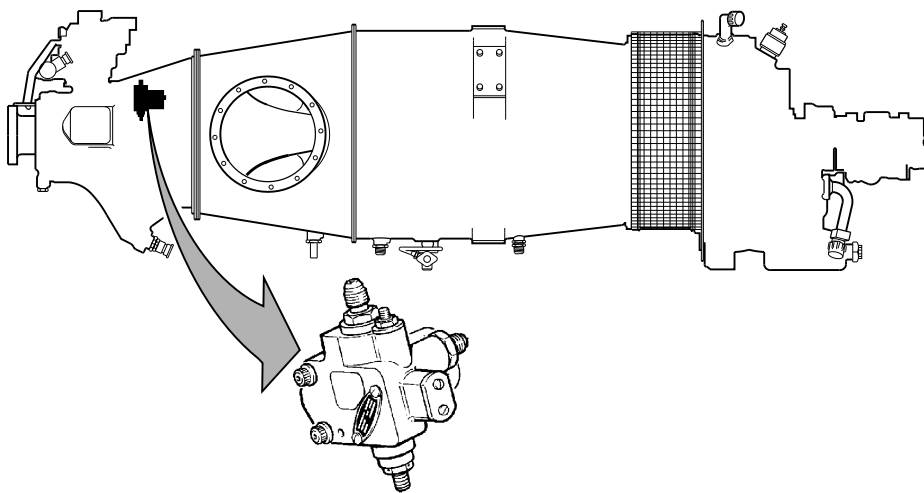
TURBOPROP ENGINE
TORQUE LIMITER - INSPECTION OF

MODEL APPLICATION

PT6A-64, PT6A-66A, PT6A-66D, PT6A-67A, PT6A-67AF, PT6A-67B, PT6A-67P, PT6A-67R,
PT6A-67T

█ Compliance: CATEGORY 3

█ Summary: This service bulletin documents an inspection to be done on Torque Limiters that have accumulated less than 1000 hours of service time since new or overhaul.



Oct 25/2013
Revision No. 3: Feb 26/2015

PT6A-72-14473
Cover Sheet

24-Hour Global Service

CFIRST CENTRE

Toll free where available (SIL GEN-027)

USA & CANADA..... 1-800-268-8000

International (IAC*)+8000-268-8000

* International Access Code

Other..... 1-450-647-8000

Fax..... 1-450-647-2888

Web Site www.pwc.ca

WARNING - PROPRIETARY RIGHTS & EXPORT CONTROLS NOTICE

This bulletin contains proprietary information of Pratt & Whitney Canada Corp. ("P&WC"), which P&WC provides in confidence and solely for the purposes of supporting engine certification and providing applicable information regarding the proper use, maintenance, inspection, repair, servicing and parts application of P&WC products and services, as directed therein. Neither this bulletin nor any information in it may be disclosed to others, or used for any other purpose, including, without limitation, to design, create, develop, reproduce, manufacture or derive any design, part, product, material, process, modification, configuration change or repair, or obtain FAA or other government approval to do so. Possession and use of this bulletin is also subject to the restrictions set out in P&WC's Technical Data Agreement (a copy of which may be obtained by contacting P&WC Technical Publications). The contents of this bulletin may be subject to export control laws. Unauthorized export or re-export of the bulletin, or parts thereof, is prohibited. By accepting and possessing this bulletin, you agree to be bound by the foregoing terms.

If a Government agency or department intends to disclose any information, written notice should be given to:
VP - Legal Services, Pratt & Whitney Canada Corp., 1000 Marie-Victorin (01BE5), Longueuil, Quebec J4G 1A1.

Export Control Classification		
*Data is subject to the jurisdiction of the Export and Import Controls Bureau of the Department of Foreign Affairs and International Trade of Canada, Department of Commerce of the United States and/or Department of State of the United States. ** Data is not subject to the jurisdiction of the Department of Commerce of the United States or Department of State of the United States but would become subject if exposed to any US involvement.	Regulation	Classification Number
	Canadian ECL(s)*	
	ECCN(s)*	
	P-ECCN(s)**	9E991
	USML (ITAR)*	
	P-USML **	



26 February 2015

P&WC S.B. No. 14473R3

REVISION TRANSMITTAL SHEET
TURBOPROP ENGINE MODEL PT6A

SUBJECT: Pratt & Whitney Canada Service Bulletin No. PT6A-72-14473, Rev. No. 3, dated Feb 26/2015 (P&WC S.B. No. 14473R3) TORQUE LIMITER - INSPECTION OF

Replace your existing copy of this service bulletin with the attached revised bulletin. Destroy the superseded copy.

Please retain this Revision Transmittal Sheet with the revised bulletin.

SUMMARY: This revision is issued to:

- update Summary: add time since new or overhaul.
- update solution in Para. 1.C., Planning Information: add time since new or overhaul.
- modify compliance - effectivity statement in Para. 1.E., Planning Information.
- revise text in Para. 3., Accomplishment Instructions.

EFFECT OF REVISION ON PRIOR ACCOMPLISHMENT:

None.

NOTE: A black bar in the left margin indicates a change in that line of text or figure.

REVISION HISTORY:

Original Issue: Oct 25/2013
Revision No. 1: Dec 10/2013
Revision No. 2: Apr 24/2014
Revision No. 3: Feb 26/2015

PRATT & WHITNEY CANADA
SERVICE BULLETIN

P&WC S.B. No. 14473R3

TURBOPROP ENGINE
TORQUE LIMITER - INSPECTION OF

1. Planning Information

A. Effectivity

- PT6A-64 Engines with a torque limiter P&WC P/N 3038027 (Vendor P/N 3244862-1) or 3055731-01 (Vendor P/N 3244862-2) installed having Serial Number C35596 or prior.
- PT6A-66A Engines with a torque limiter P&WC P/N 3055726-01 (Vendor P/N 3244707-8) installed having Serial Number D13772 or prior.
- PT6A-66D Engines with a torque limiter P&WC P/N 3055731-01 (Vendor P/N 3244862-2) installed having Serial Number C35596 or prior.
- PT6A-67A Engines with a torque limiter P&WC P/N 3055747-01 (Vendor P/N 3244868-2) installed having Serial Number C53068 or prior.
- PT6A-67AF Engines with a torque limiter P&WC P/N 3038871 (Vendor P/N 3244868-1) or 3055747-01 (Vendor P/N 3244868-2) installed having Serial Number C53068 or prior.
- PT6A-67B Engines with a torque limiter P&WC P/N 3116294-01 (Vendor P/N 3244882-1) or 3055748-01 (Vendor P/N 3244882-2) having Serial Number C51326 or prior.
- PT6A-67P Engines with a torque limiter P&WC P/N 3055748-01 (Vendor P/N 3244882-2) having Serial Number C51326 or prior.
- PT6A-67R Engines and all engines converted to Engine Model PT6A-67R (Ref. P&WC engine conversion SB14221) with a torque limiter P&WC P/N 3038871 (Vendor P/N 3244868-1) or 3055747-01 (Vendor P/N 3244868-2) having Serial Number C53068 or prior.
- PT6A-67T Engines with a torque limiter P&WC P/N 3038871 (Vendor P/N 3244868-1) or 3055747-01 (Vendor P/N 3244868-2) having Serial Number C53068 or prior.

B. Concurrent Requirements

None.

C. Reason

(1) Problem

An oil leak occurred on the torque limiter after 544 hours of service

(2) Cause

The torque limiter leakage was attributable to the pivot and spring assembly that became loose due to a low torque condition of the retaining screws.

(3) Solution

Do a one time in-situ inspection of the torque limiters that have accumulated less than 1000 hours of service time since new or overhaul.

D. Description

Do a one time in-situ inspection of the torque limiter

P&WC No. DCR25375, DCR25926, DCR29301

P&WC Proprietary Information. Subject to the restrictions on the back of the locator

Oct 25/2013

The export control classification with respect to this document is contained on the back of the locator.

Revision No. 3: Feb 26/2015

© 2013 Pratt & Whitney Canada Corp.
PRINTED IN CANADA

PT6A-72-14473

Page 1 of 4

PRATT & WHITNEY CANADA
SERVICE BULLETIN

P&WC S.B. No. 14473R3

TURBOPROP ENGINE
TORQUE LIMITER - INSPECTION OF

1. Planning Information (Cont'd)

E. Compliance

For torque limiter that have accumulated less than 1000 hours TTSN as of October 25/2013 and torque limiters that have accumulated less than 1000 hours TSO.

CATEGORY 3 - P&WC recommends that this SB be done at next scheduled maintenance not to exceed 150 hrs or within 12 months, whichever comes first.

F. Approval

D.A.A. approved

G. Manpower

Once you have access to the part, an estimate of 0.5 man-hours is required to include this service bulletin at maintenance.

H. Weight and Balance

None.

I. Electrical Load Data

Not changed.

J. Software Accomplishment Summary

Not applicable.

K. References

Maintenance Manual P/N 3038321 (PT6A-64)
Maintenance Manual P/N 3058082 (PT6A-66A)
Maintenance Manual P/N 3070902 (PT6A-66D)
Maintenance Manual P/N 3036132 (PT6A-67/67A/67AF/67AG/67R/67T)
Maintenance Manual P/N 3038336 (PT6A-67B, PT6A-67P)

L. Publications Affected

None.

M. Interchangeability and Intermixability of Parts

Not applicable.

PRATT & WHITNEY CANADA
SERVICE BULLETIN

P&WC S.B. No. 14473R3

TURBOPROP ENGINE
TORQUE LIMITER - INSPECTION OF

2. Material Information

A. Industry Support Information

Not applicable.

B. Material - Cost and Availability

Not applicable.

C. Material Necessary for Each Engine

Not applicable.

D. Reidentified Parts

None.

E. Tooling - Price and Availability

Not applicable.

3. Accomplishment Instructions

A. Gain access to the torque limiter and do a general visual inspection of torque limiter installation and hardware.

B. Do an inspection on the torque limiter pivot spring installation (Ref. Fig. 1), by applying finger pressure to pivot spring assembly and attempt to rotate spring pivot head clockwise and counterclockwise, and note for signs of movement.

(1) If no evidence of movement is found, no further action is required.

(2) If evidence of movement is detected, replace torque limiter per EMM chapter 73-10-09, contact local P&WC FSR and send suspect unit to an authorized facility for repair.

C. Write accomplishment of P&WC S.B. No. 14473 in the engine module log book.

4. Appendix

Not applicable.

PRATT & WHITNEY CANADA
SERVICE BULLETIN

P&WC S.B. No. 14473R3

TURBOPROP ENGINE
TORQUE LIMITER - INSPECTION OF



PIVOT SPRING
ASSEMBLY

**TRY TO ROTATE SPRING PIVOT HEAD IN A CLOCKWISE AND
COUNTER CLOCKWISE DIRECTION AND LOOK FOR ANY SIGNS OF MOVEMENT**

C219712

Torque Limiter Inspection
Figure 1